

McCULLOCH®

PARTNER

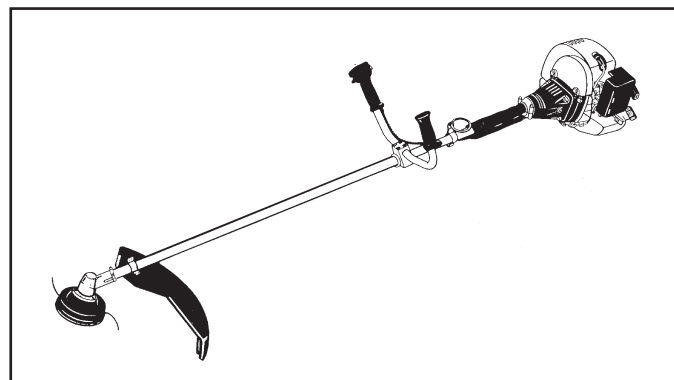
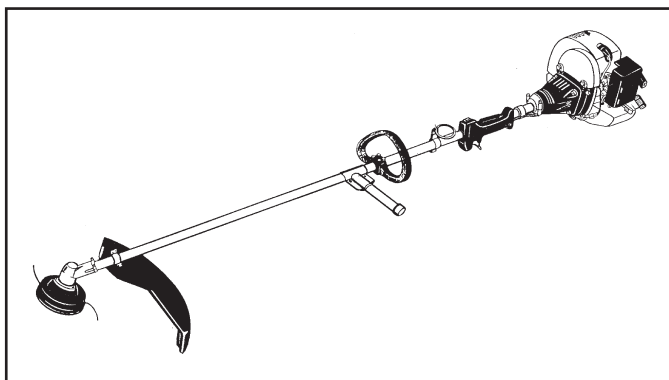
ILLUSTRATED PARTS LIST

ELITE 3300 3400 PREFIX 01

ELITE 3800 3900 PREFIX 02

B3400 PREFIX 01

SERIAL NUMBER PREFIX 01 - 02



March 2002

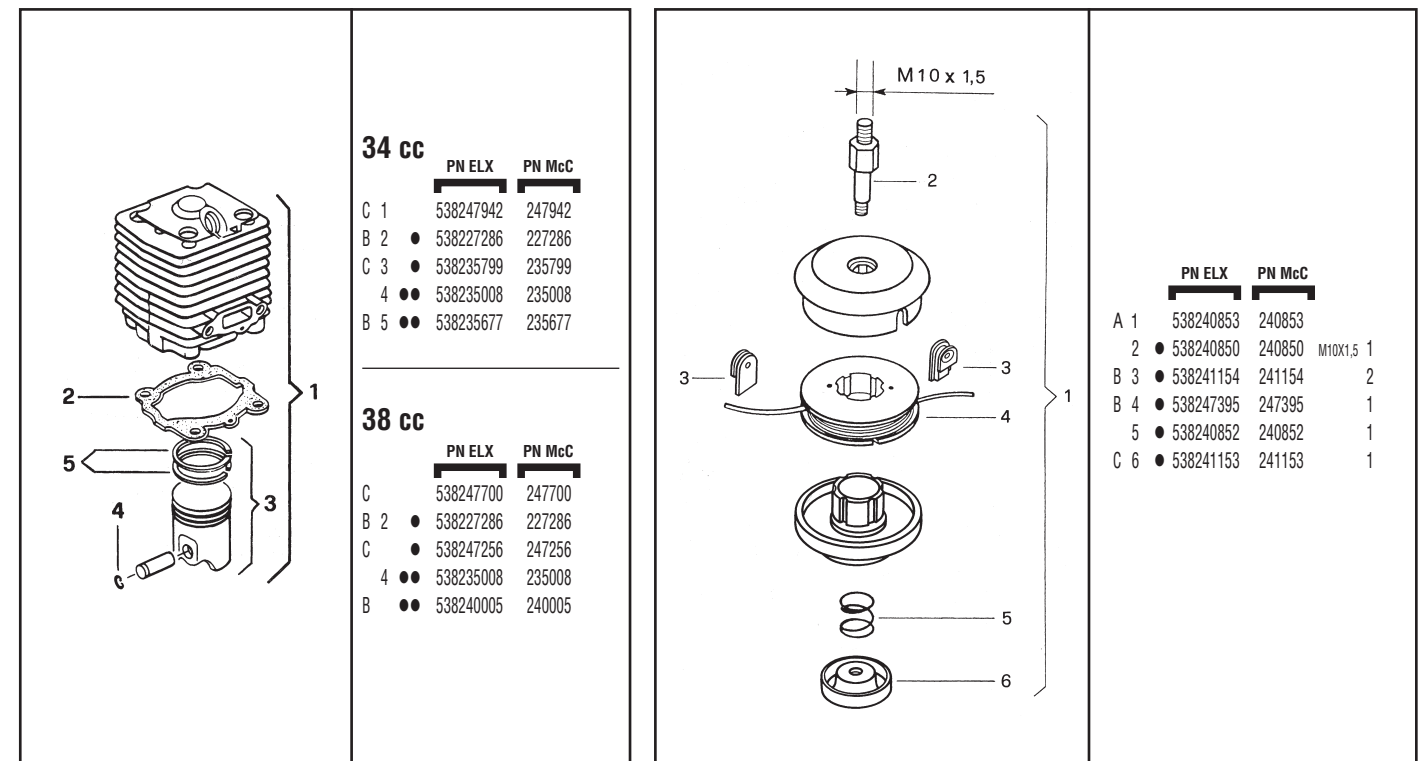
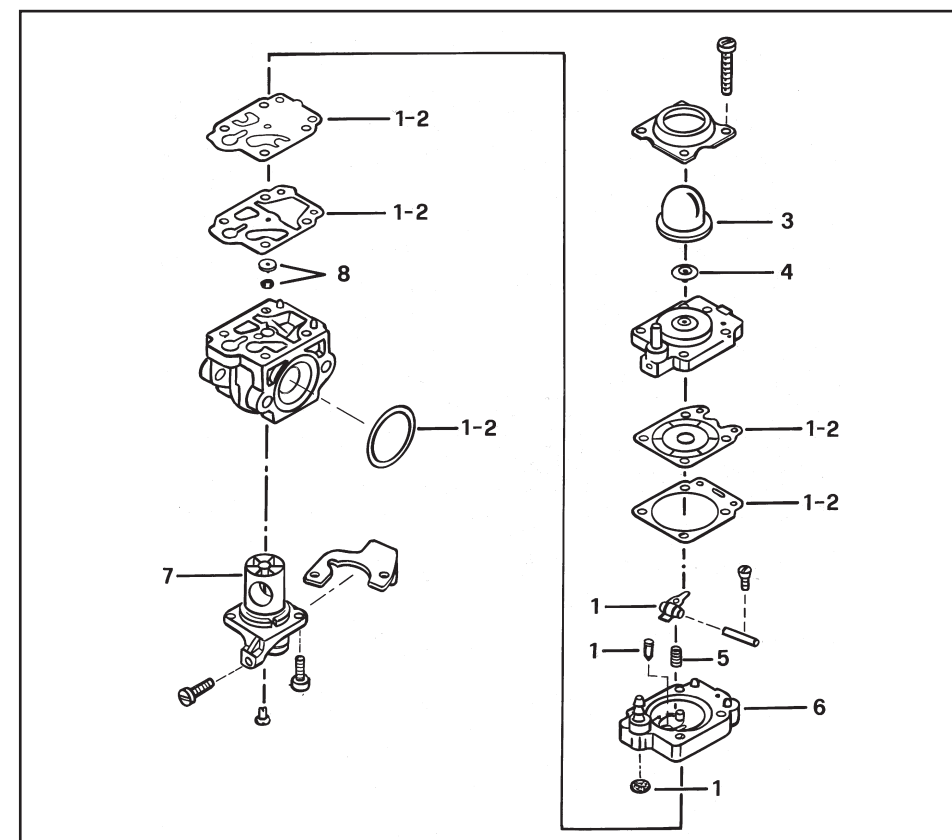


FIGURE 3

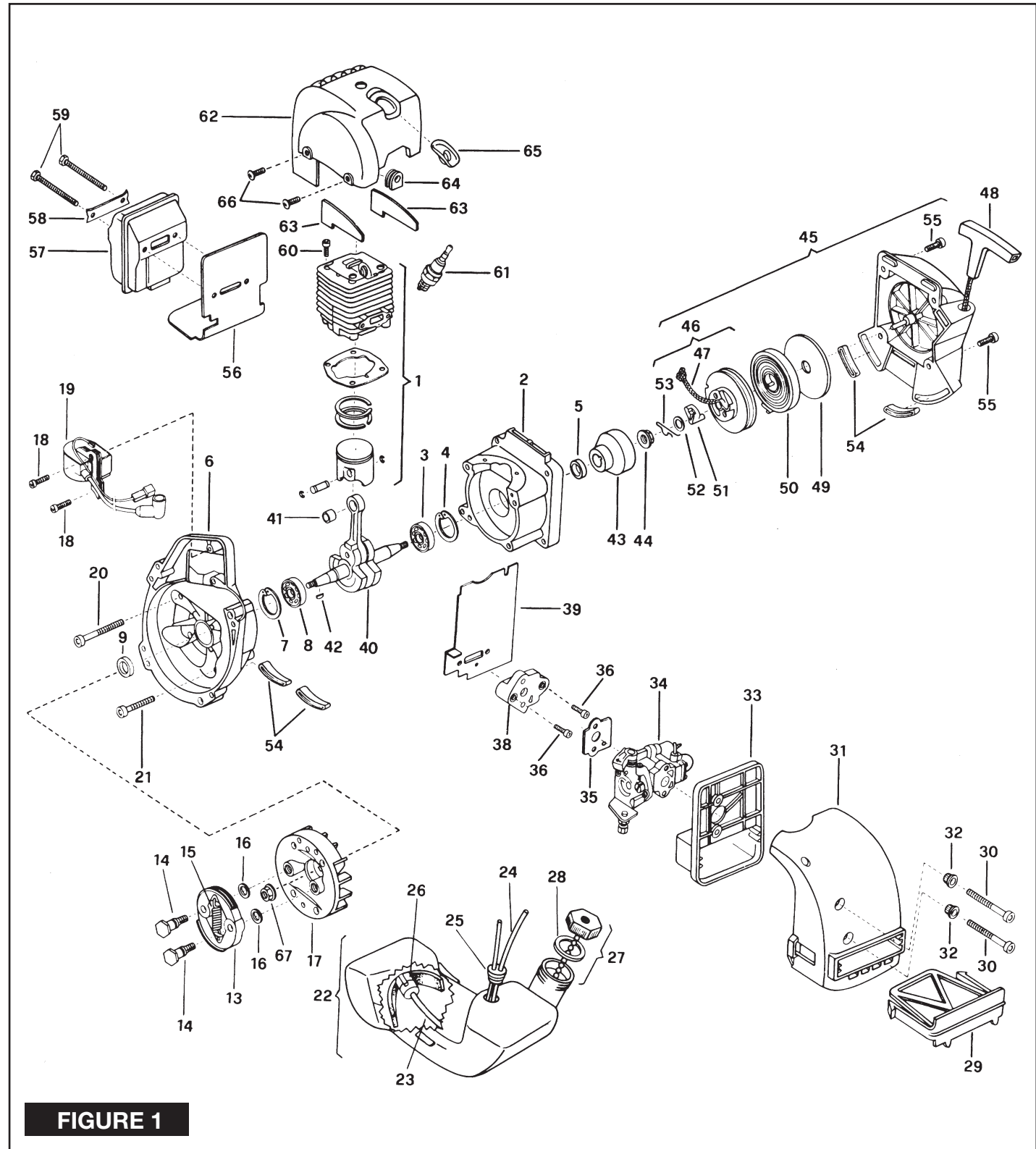
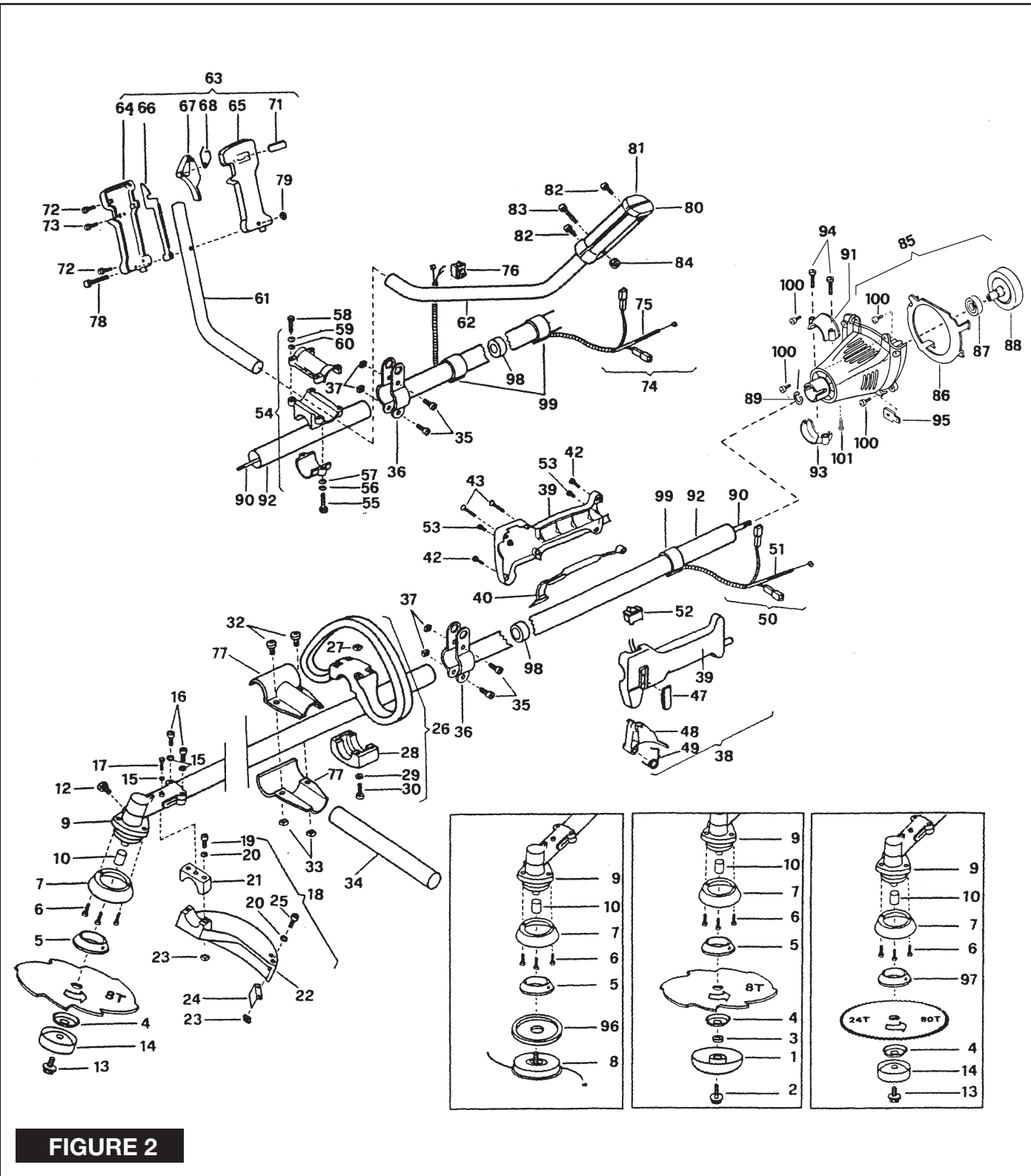
FIGURE 4



	PN ELX	PN McC
C -	538241268	241268
B 1	● 538247955	247955
A 2	●● 538247956	247956
C 3	● 538225834	225834
C 4	● 538247957	247957
C 5	● 538247958	247958
C 6	● 538247962	247962
C 7	● 538247961	247961
C 8	● 538247959	247959

FIGURE 5

A = high moving - alta rotazione - haute demande - große Nachfrage
 B = medium moving - media rotazione - moyenne demande - mittelmäßige Nachfrage
 C = slow moving - bassa rotazione - basse demande - wenige Nachfrage



PN ELX		PN McC	PN ELX		PN McC	PN ELX		PN McC	PN ELX		PN McC	PN ELX		PN McC			
A 1	538240809	240809B	1	21	538240931	240931	1	42	538240618	240618	2	64	538241293	241293	1		
A 2	538240806	240806	1	22	538240933	240933	1	43	538240833	240833	4	65	538241294	241294	1		
A 3	538240807	240807	1	23	538236732	236732	4	47	538241292	241292	1	66	538229820	229820	1		
A 4	538229834	229834	1	24	538241973	241973	1	48	538241296	241296	1	67	538241295	241295	1		
A 5	538229833	229833	1	25	538235802	235802	MSX14	2	49	538240091	240091	1	68	538240091	240091	1	
A 6	538240688	240688	3	26	538227068	227068	1	C 50	538241411	241411	1	71	538241292	241292	1		
B 7	538240767	240767	MSX14	1	27	538236642	236642	4	C 51	538241425	241425	1	72	538240618	240618	2	
A 8	FIGURE 4			28	538227046	227046	1	C 52	538236394	236394	1	73	538240833	240833	3		
9	538241426	241426	1	29	538236936	236936	4	53	538236981	236981	2	C 74	538241410	241410	1		
10	538247272	247272	1	30	538228320	228320	MSX45	4	54	538241685	241685	1	C 75	538241424	241424	1	
12	538240151	240151	MSX10	1	32	538235911	235911	MSX12	2	55	538235921	235921	MSX30	2			
A 13	538229842	229842	M10X16	1	33	538236642	236642	2	56	538236528	236528	2	C 76	538236394	236394	3	
A 14	538236596	236596	1	34	538246864	246864	1	57	538236936	236936	6	77	538228146	228146	2		
15	538236529	236529	3	35	538235911	235911	MSX12	2	58	538235803	235803	MSX25	4				
16	538235804	235804	MSX30	2	36	538228152	228152	2	59	538236529	236529	4	80	538229984	229984	1	
17	538236381	236381	MSX10	1	37	538236642	236642	2	60	538235248	235248	4	81	538229985	229985	1	
B 18	538247208	247208	1	38	538241407	241407	1	61	538229831	229831	1	82	538240833	240833	2		
19	538235806	235806	MSX20	2	39	538246955	246955	1	62	538229832	229832	1	83	538235212	235212	MSX35	1
20	538235248	235248	4	40	538229819	229819	1	63	538241406	241406	1	84	538235216	235216	1		

A = high moving - alta rotazione - haute demande - große Nachfrage B = medium moving - media rotazione - moyenne demande - mittelmäßige Nachfrage C = slow moving - bassa rotazione - basse demande - wenige Nachfrage

PN ELX		PN McC	PN ELX		PN McC	PN ELX		PN McC	PN ELX		PN McC	PN ELX		PN McC			
C 1	FIGURE 3			18	538235806	235806	MSX20	2	31	538241212	241212	1	44	538235218	235218	1	
2	538247936	247936	1	C 19	538241298	241298	1	32	538241589	241589	B 3400	1	45	538241834	241834	B 3400	1
3	538235900	235900	1	20	538235808	235808	1	33	538227924	227924	2	C	538241283	241283	1		
4	538235899	235899	1	21	538235804	235804	1	34	538241211	241211	1	B 46	538227194	227194	1		
C 5	538228872	228872	1	C 22	538241282	241282	1	FIGURE 5				A 47	538227703	227703	1		
6	538247935	247935	1	B 23	538229809	229809	1	A 35	538241281	241281	1	48	538240884	240884	1		
7	538235899	235899	1	B 24	538229743	229743	1	36	538235806	235806	2	49	538227467	227467	1		
8	538235900	235900	1	C 25	538235675	235675	1	B 24	538229743	229743	1	B 50	538227300	227300	1		
C 9	538228872	228872	1	A 26	538240452	240452	1	37	538235248	235248	1	B 51	538240492	240492	1		
B 13	538247937	247937	1	B 27	538236563	236563	1	C 38	538241481	241481	1	B 52	538227470	227470	1		
14	538241269	241269	2	A 28	538236564	236564	1	C 39	538241428	241428	1	B 52	538227470	227470	1		
C 15	538241270	241270	1	A 28	538236564	236564	1	40	538241266	241266	1	53	538240485	240485	1		
16	538236956	236956	2	B 29	538241213	241213	1	C 41	538235742	235742	1	54	538241248	241248	4		
17	538241240	241240	1	30	538235808	235808	2	C 42	538227631	227631	1	55	538236527	236527	4		
								43	538241223	241223	1	C 56	538241280	241280	1		
												C 57	538241432	241432	1		
												58	538227236	227236	1		
												59	538227274	227274	2		
												60	538227565	227565	4		
												A 61	538092879	92879	1		
												62	538241187	241187	Yellow/Giallo	1	
													538241829	241829	Gold/Oro	1	
												63	538241416	241416	2		
												64	538236322	236322	1		
												65	538241241	241241	2		
												66	538240688	240688	2		
												67	538235218	235218	1		

A = high moving - alta rotazione - haute demande - große Nachfrage B = medium moving - media rotazione - moyenne demande - mittelmäßige Nachfrage C = slow moving - bassa rotazione - basse demande - wenige Nachfrage